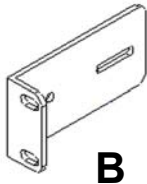


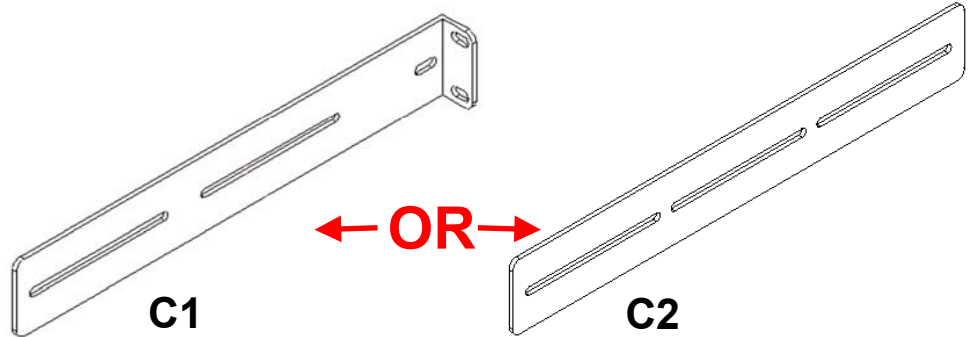
INTRODUCTION

RACK-1U and RACK2-1U are 19" Rack Mount Bracket Kits that are formed from 0.100 inch (2.54mm) thick steel and powder coated black. These heavy duty bracket kits are designed specifically for the Holzworth 1U high synthesizer and phase noise analyzer chassis, making for ease of installation into most standard 19-inch communications/server racks per the Electronics Industries Association standard: EIA-310-D.

INCLUDED WITH EACH KIT:**A****B**

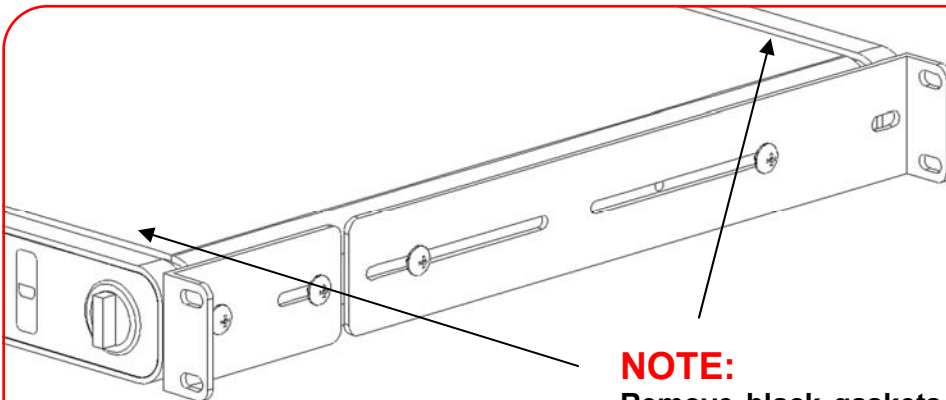
A. Mounting Fasteners (10-32 x 3/8") - QTY 8

B. Front Bracket - QTY 2

C1a. Rear Bracket (90 deg) 24" overall - QTY 2 (**RACK-1U**) *C1b. Rear Bracket (90 deg) 29" overall - QTY 2 (**RACK-1U-L**) *C2a. Rear Bracket (straight) 24" overall - QTY 2 (**RACK2-1U**) *C2b. Rear Bracket (straight) 29" overall - QTY 2 (**RACK2-1U-L**) *

* **NOTE:** Only one set of rear brackets is included per kit. Select either RACK-1U, RACK-1U-L, RACK2-1U, or RACK2-1U-L.

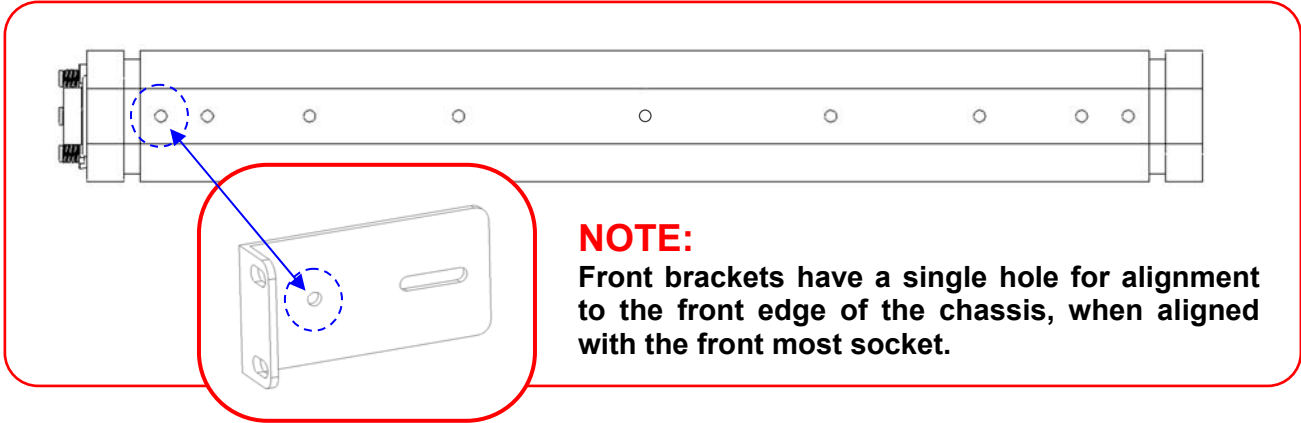
The rack mount kit brackets have been designed to be as versatile as possible due to varying rack configurations and rack depths. The kit will accommodate a 4 post rack depth of up to approximately 24 inches (61cm).

**NOTE:**

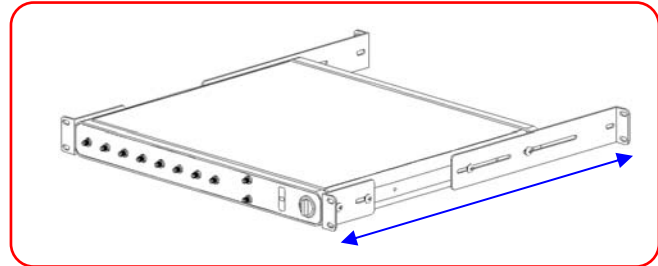
Remove black gaskets from front and rear of the Holzworth module prior to bracket installation.

INSTALLATION BASICS

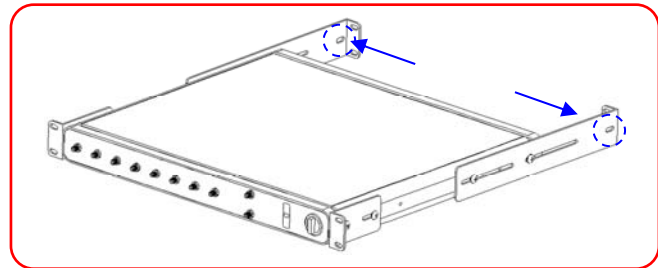
Installation of the bracket kit is mechanically intuitive. Each siderail of the Holzworth module housing is equipped with eight (8) threaded sockets for bracket (or rail) installation. The 10-32 fasteners included with the rack mount kit are to be used to install the brackets to the Holzworth chassis. Two (2) fasteners per bracket are required.

**ADJUSTABLE DEPTH**

With the front brackets fixed, the rear bracket can be adjusted for a minimum depth of approximately 14.75 inches (37.5cm). The rear bracket can also be safely expanded to accommodate a maximum depth of 24 inches (61cm) or 29 inches (74cm) depending on kit.

**90° REAR MOUNT**

The rear brackets can also be rotated with the tabs directed inward to accommodate racks that are configured to receive the rear installation fasteners at 90 degrees. The slotted holes used for this configuration will accept up to a 12-24 fastener size.

**RELAY RACKS**

The module can also be fit into 2 post relay racks, by utilizing only the set of rear 90° brackets (RACK-1U kit) in a forward facing configuration. It is important to install the brackets so that the mounting tabs are located just forward of the module's center point to properly balance the chassis' center of gravity.

